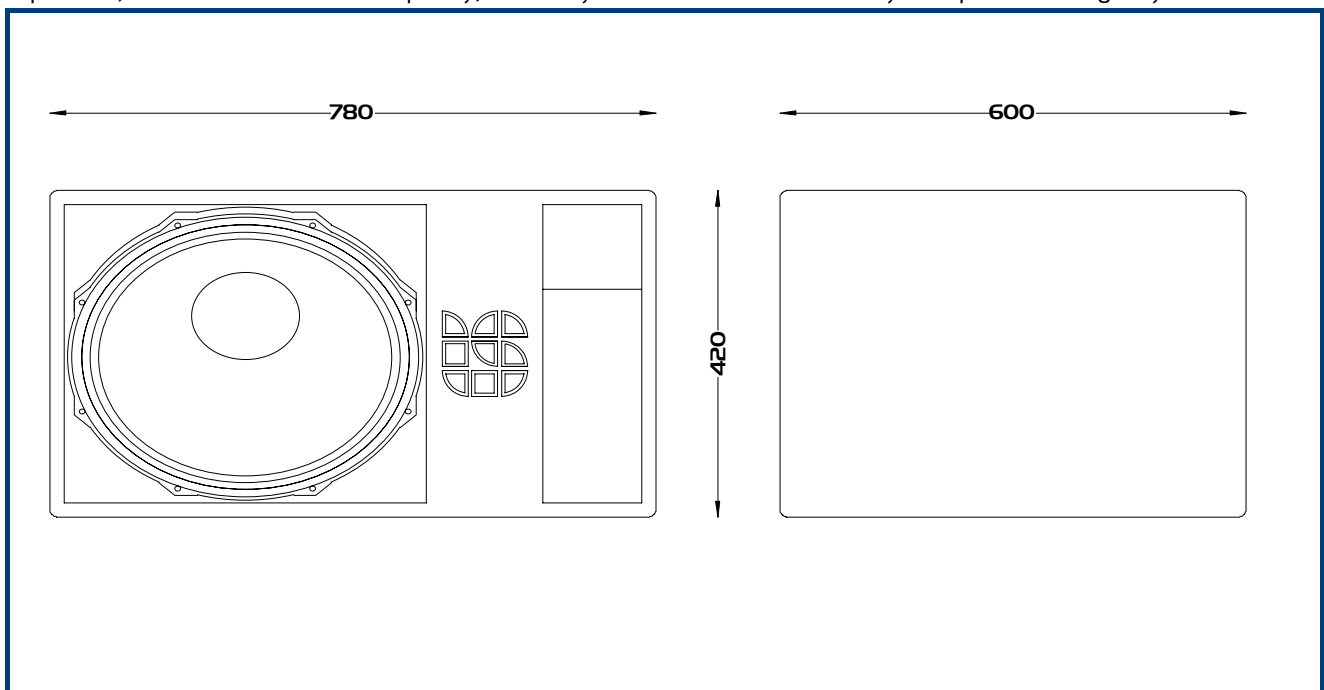




The Logic System XP180 is an integral part of the new range of state of the art self powered loudspeaker enclosures. The cabinet utilises a long excursion 18” bass cone which is mounted in a compact vented enclosure. The bass cone is driven actively by its own integrated amplifier channel; while performance is optimised by the onboard DSP control which ensures an incredibly linear frequency response. The high power sub-bass driver and state of the art electronics add up to an easy to manage cabinet which delivers tight and detailed bass extension. Panel connectors allow the cabinet to operate in a stereo summed mode where only one XP180 is being used with a pair of XP15 fullrange enclosures or in a more conventional mono mode. The unit also features a gain control. The XP180 delivers all the convenience expected from powered product, but with a level of build quality, reliability and sonic excellence that you expect from Logic System.



Frequency Response:	<ul style="list-style-type: none"> • 40Hz – 150Hz
Components:	<ul style="list-style-type: none"> • Bass: 18” cone driver
Power handling:	<ul style="list-style-type: none"> • 1000w
Sensitivity (1):	<ul style="list-style-type: none"> • 98dB
Directivity:	<ul style="list-style-type: none"> • Omni-directional
Construction:	<ul style="list-style-type: none"> • 18mm Birch plywood
Finish:	<ul style="list-style-type: none"> • Water based textured black paint
Connections:	<ul style="list-style-type: none"> • 1 x Neutrik Powercon mains input. • Stereo input and output on XLR.
Dimensions:	<ul style="list-style-type: none"> • 780mm (W) x 420mm (H) x 600mm (D)
Packaged Dimensions:	<ul style="list-style-type: none"> • 900mm (W) x 530mm (H) x 710mm (D)
Weight:	<ul style="list-style-type: none"> • 45 Kg

Cabinet	Handles	Tophat	M2o plate	Castors	Bracket Pt.	Inserts/Fly Points
XP180	4 off	No	Yes	yes	No	N/A

Note: (1) Sensitivity measured at 1 metre with 2.83V, using band limited pink noise.