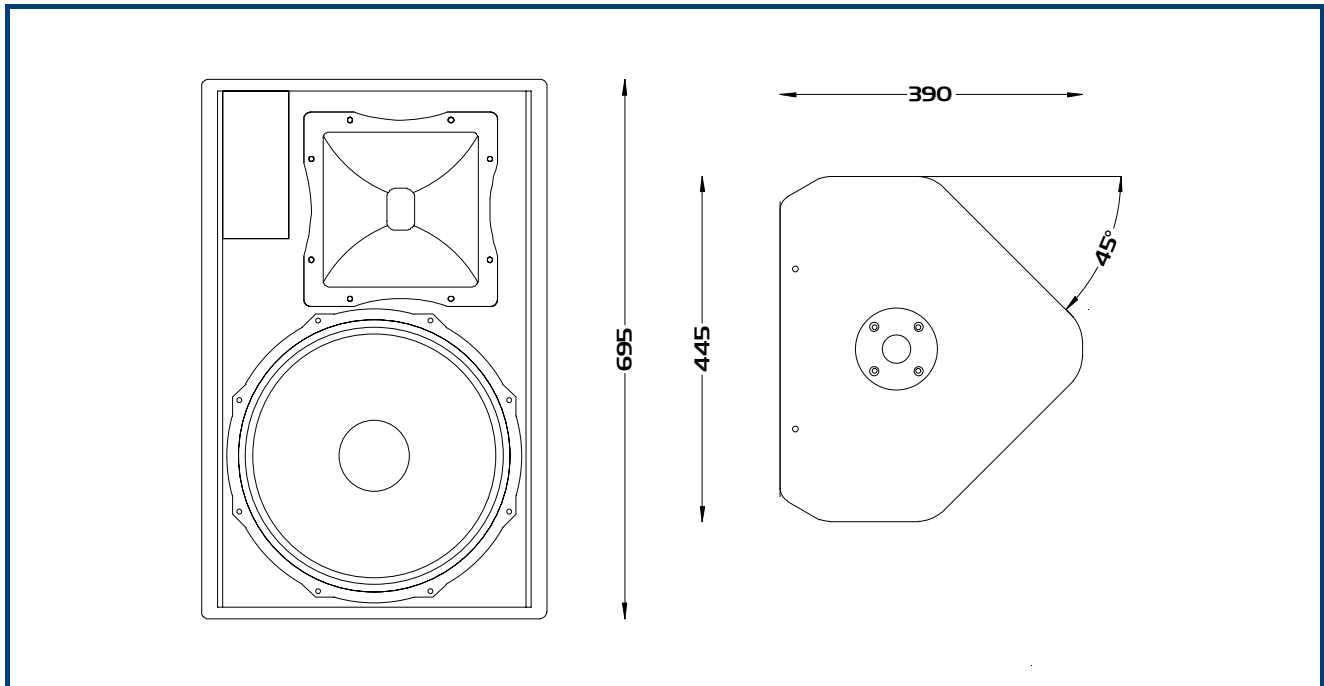




The Logic System XP15 is the first product in a range of state of the art self powered loudspeaker enclosures. The cabinet utilises an Ultra-light Neodymium mid bass cone which is combined with a 1.4" compression driver on a CD horn. Each component is driven actively by its own amplifier channel, while the electronics benefit from on board DSP control to ensure an incredibly linear frequency response. The DSP can store four different voicing for the product and all functions can be computer controlled by the Logic Systems Podware software package. The lightweight components and electronics add up to an easy to manage fullrange cabinet with excellent acoustic performance. XP15 delivers all the convenience expected from powered product, but with a level of build quality, reliability and sonic excellence that you expect from Logic System.



<b>Frequency Response:</b>	<ul style="list-style-type: none"> <li>• 50Hz – 20kHz</li> </ul>
<b>Components:</b>	<ul style="list-style-type: none"> <li>• Bass/mid: 15" Ultra-light Neodymium cone driver</li> <li>• HF: 1.4" compression driver on CD flare</li> </ul>
<b>Power handling:</b>	<ul style="list-style-type: none"> <li>• 600W</li> </ul>
<b>Sensitivity (1):</b>	<ul style="list-style-type: none"> <li>• 100dB</li> </ul>
<b>Directivity:</b>	<ul style="list-style-type: none"> <li>• 90° x 40° above 1kHz</li> </ul>
<b>Impedance:</b>	<ul style="list-style-type: none"> <li>• 8 Ohm</li> </ul>
<b>Construction:</b>	<ul style="list-style-type: none"> <li>• 15mm Birch plywood</li> </ul>
<b>Finish:</b>	<ul style="list-style-type: none"> <li>• Water based textured black paint</li> </ul>
<b>Connections:</b>	<ul style="list-style-type: none"> <li>• 1 x Neutrik Powercon mains input.</li> <li>• XLR male/female audio input/output.</li> </ul>
<b>Dimensions:</b>	<ul style="list-style-type: none"> <li>• 695mm (W) x 445mm (H) x 390mm (D)</li> </ul>
<b>Packaged Dimensions (2):</b>	<ul style="list-style-type: none"> <li>• 815mm (W) x 555mm (H) x 500mm (D)</li> </ul>
<b>Weight:</b>	<ul style="list-style-type: none"> <li>• 25 Kg</li> </ul>

Cabinet	Handles	Tophat	Mzo plate	Castors	Bracket Pt.	Inserts/Fly Points
XP15	2 off	Yes	No	No	No	N/A

**Note:** (1) Sensitivity measured at 1 metre with 2.83V, using band limited pink noise.