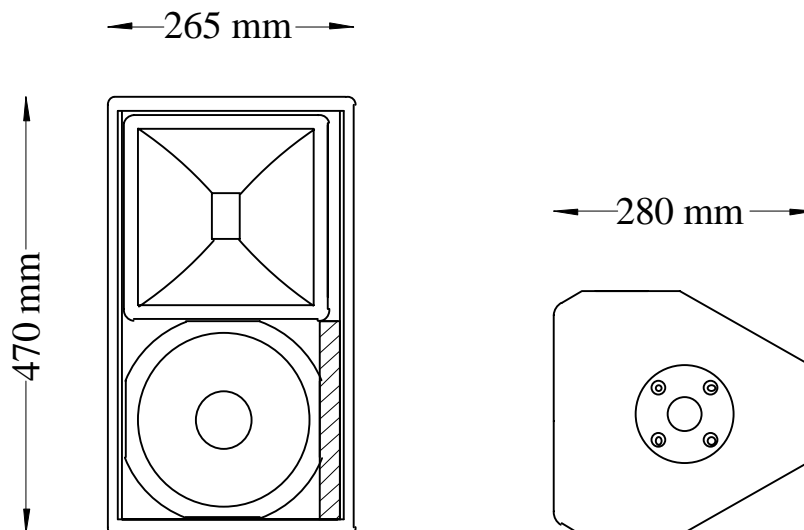


## LS 8 – Technical Specifications (rev1 02/09/02)

<b>Description:</b>	• A compact, passive, full range sound reinforcement enclosure.
<b>Frequency Response:</b>	• 60Hz – 18kHz
<b>Components:</b>	• Bass/mid: 8" cone driver • HF: 1" exit compression driver
<b>Power handling:</b>	• 150w
<b>Sensitivity (1):</b>	• 96dB
<b>Directivity:</b>	• 90° x 60° above 2kHz
<b>Construction:</b>	• 15mm Birch plywood
<b>Finish:</b>	• Water based textured black paint
<b>Connections:</b>	• 2 x Neutrik NL4 connectors • 1+/1- Input 2+/2- No connection
<b>Dimensions:</b>	• 265mm (W) x 470mm (H) x 280mm (D)
<b>Packaged Dimensions:</b>	• 280mm (W) x 485mm (H) x 295mm (D)
<b>Impedance:</b>	• 8 ohms nominal
<b>Weight:</b>	• 12 Kg

**Note:** (1) Sensitivity measured at 1 metre with 2.83V, using band limited pink noise.



## LS 8 Options

Cabinet	Code	Spec.	Handles	Tophat	M20 plate	M20 blank	Castors	Bracket	Inserts/Fly Points
LS 8	LS 4063	M-Spec	1 off	Yes	No	No	No	Yes	6 off M10 inserts