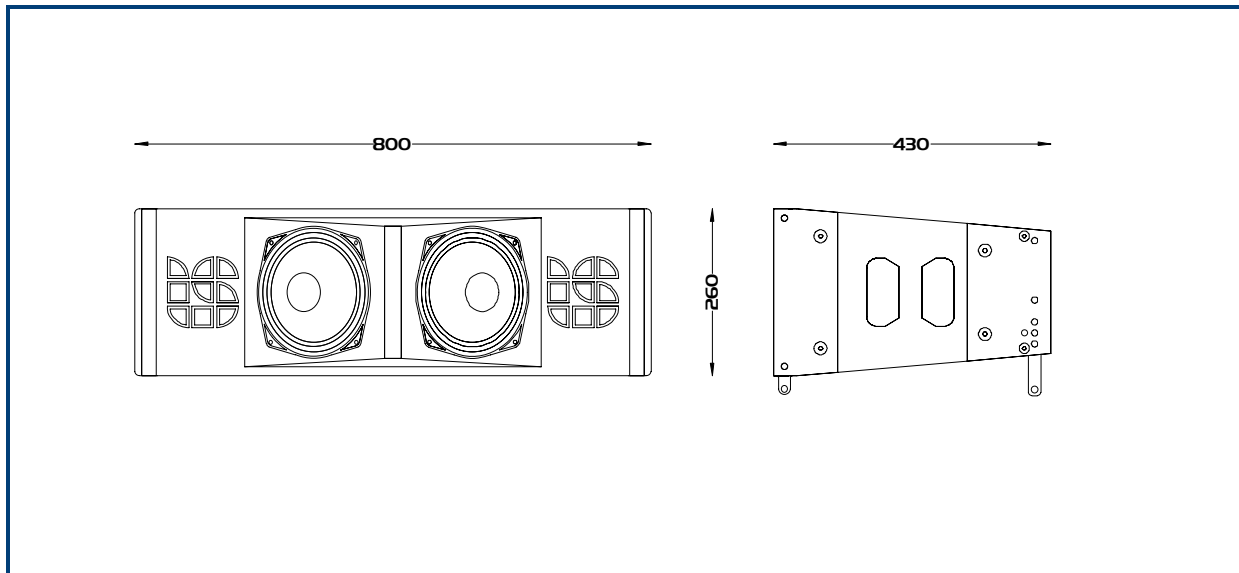




Ethos VA is a compact vertically arraying front of house PA system suited to a wide range of applications. A minimum array is composed of three boxes, with more typical configurations being composed of six to twelve boxes. Horizontal coverage is 120 degrees, with vertical coverage defined by the array angles. Each box has a front hinge point and a choice of back angles, 0°, 1.25°, 2.5°, 5° & 10°. Back angle selection can define both vertical coverage and the throw of the system, making Ethos VA equally at home in a theatre or on an outside festival. Adjacent boxes clip together with Kwik Lok pins, making changes to set up quick and painless. Ethos VA can be used for vocal reproduction without the need for bass support, or combined with Ethos B2 bass cabinets or Ethos SB2, sub bass cabinets. The system can be both flown from the Ethos FF fly frame, or ground stacked from the Ethos B2. Inserting the Ethos FF between the B2 and VA will also allow you to help the bottom box in the array by up to 10° when ground stacking. Compact, versatile and equally at home in fixed install or touring, Ethos VA, array for the real world.



Frequency Response:	• 70Hz- 20 KHz (With assisted alignment.)
Components:	• Bass/mid: 2 off 8" neodymium cone drivers. • HF: 2 off 1" exit neodymium compression driver.
Power handling:	• Mid/Bass: 500w - HF:160W
Sensitivity (1):	• Mid/Bass: 100dB - HF: 110dB
Directivity:	• 120° x 10° above 1kHz
Impedance:	• 8 Ohm
Construction:	• 15mm Birch plywood
Finish:	• Water based textured black paint
Connections:	• 2 x Neutrik NL4 connectors • 1+/1- Mid/bass 2+/2- HF.
Dimensions:	• 800mm (W) x 260mm (H-FR) x 190mm (H-B) x 430mm (D)
Packaged Dimensions:	• 900mm (W) x 370mm (H) x 540 (D)
Weight:	• 28Kg

Cabinet	Handles	Tophat	M20 plate	Castors	Bracket Pt.	Inserts/Fly Points
Ethos VA	2 off	No	No	No	No	Full integrated system

Note: (1) Sensitivity measured at 1 metre with 2.83V, using band limited pink noise.