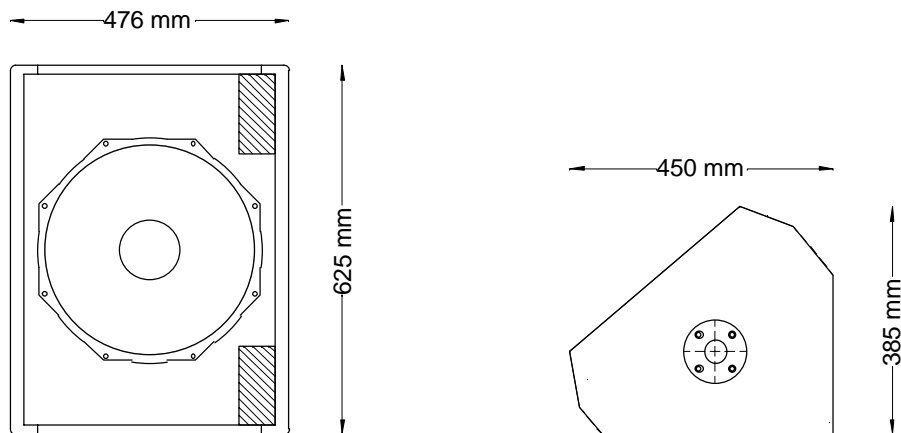


CM 20 – Technical Specifications (rev2 01/05/01)

- Description:**
- A compact, low profile, monitor enclosure.
 - Available as passive, switchable, or active only.
 - For optimum bass response use with EQ1520 controller.
- Frequency Response:**
- 45Hz-19kHz
- Components:**
- Bass/mid: 15", 4" voice coil cone driver
 - HF: 2" exit compression driver, coaxially mounted
- Power handling:**
- Bass/mid: 800w
 - HF: 75w
- Sensitivity (1):**
- Bass/mid: 98dB
 - HF: 106dB
- Directivity:**
- 60 degrees conical above 1kHz
- Construction:**
- 15mm Birch plywood
- Finish:**
- Water based textured black paint (M-Spec and T-Spec)
 - Royal Blue carpet (R-Spec)
- Connections:**
- 4 x Neutrik NL4 connectors
 - Passive: 1+/1- Input 2+/2- No connection
 - Active: 1+/1- Mid/Bass 2+/2- HF
- Dimensions:**
- 476mm (W) x 625mm (H) x 450mm (D)
- Packaged Dimensions:**
- 490mm (W) x 650mm (H) x 465mm(D)
- Impedance:**
- Bass/mid: 8 ohms nominal
 - HF: 8 ohms nominal
- Weight:**
- 33 Kg
- Note:** (1) Sensitivity measured at 1 metre with 2.83V, using band limited pink noise.



CM 20 Options

Cabinet	Code	Spec.	Handles	Tophat	M20 plate	M20 Blank	Castors	Bracket	Inserts/Fly Points
CM 20P	LS2048	R-Spec	1 off	Yes	No	No	No	No	No
	LS 4048	M-Spec	1 off	Yes	No	No	No	No	12 off M10 inserts
CM 20A/P	LS 2042	R-Spec	1 off	Yes	No	No	No	No	No
	LS 4042	M-Spec	1 off	Yes	No	No	No	No	12 off M10 inserts
	LS 6042	T-Spec	1 off	Yes	No	No	No	No	6 off Fly plates
CM 20A	LS 2041	R-Spec	1 off	Yes	No	No	No	No	No
	LS 4041	M-Spec	1 off	Yes	No	No	No	No	12 off M10 inserts
	LS 6041	T-Spec	1 off	Yes	No	No	No	No	6 off Fly plates