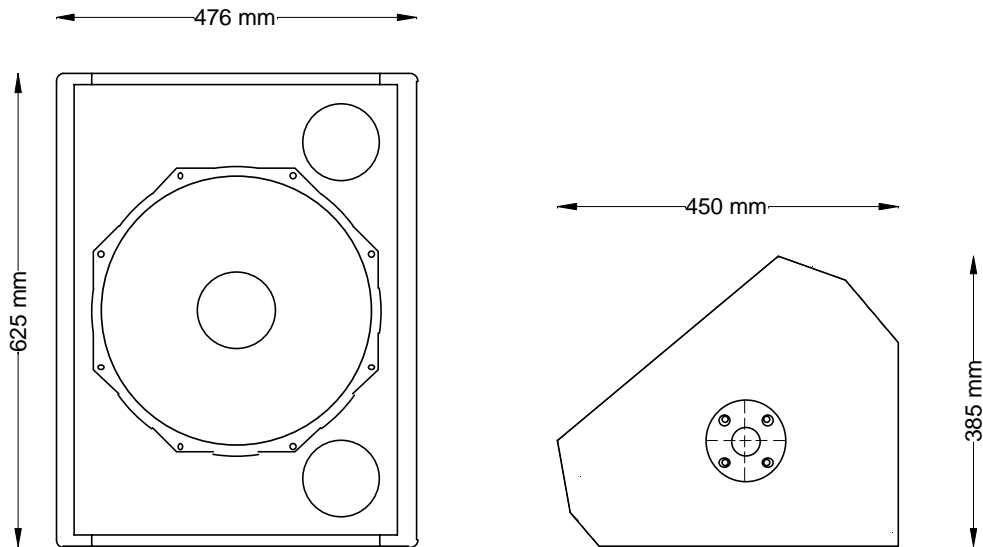


CM 15 – Technical Specifications (rev2 01/05/01)

Description:	<ul style="list-style-type: none"> • A compact, passive, full range sound reinforcement enclosure.
Frequency Response:	<ul style="list-style-type: none"> • 58Hz – 18kHz
Components:	<ul style="list-style-type: none"> • Bass/mid: 15" cone driver • HF: 1" exit compression driver, coaxially mounted
Power handling:	<ul style="list-style-type: none"> • 500w
Sensitivity (1):	<ul style="list-style-type: none"> • 99dB
Directivity:	<ul style="list-style-type: none"> • 60° conical above 1kHz
Construction:	<ul style="list-style-type: none"> • 15mm Birch plywood
Finish:	<ul style="list-style-type: none"> • Water based textured black paint (M-Spec and T-Spec) • Royal Blue carpet (R-Spec)
Connections:	<ul style="list-style-type: none"> • 4 x Neutrik NL4 connectors • 1+/1- Input 2+/2- No connection
Dimensions:	<ul style="list-style-type: none"> • 476mm (W) x 625mm (H) x 450mm (D)
Packaged Dimensions:	<ul style="list-style-type: none"> • 490mm (W) x 650mm (H) x 465mm(D)
Impedance:	<ul style="list-style-type: none"> • 8 ohms nominal
Weight:	<ul style="list-style-type: none"> • 29 Kg
Note: (1) Sensitivity measured at 1 metre with 2.83V, using band limited pink noise.	



CM 15 Options

Cabinet	Code	Spec.	Handles	Tophat	M20 plate	M20 Blank	Castors	Bracket	Inserts/Fly Points
CM 15	LS 2039	R-Spec	2 off	Yes	No	No	No	No	No
	LS 4039	M-Spec	2 off	Yes	No	No	No	No	12 off M10 inserts
	LS 6039	T-Spec	2 off	Yes	No	No	No	No	6 off Fly plates